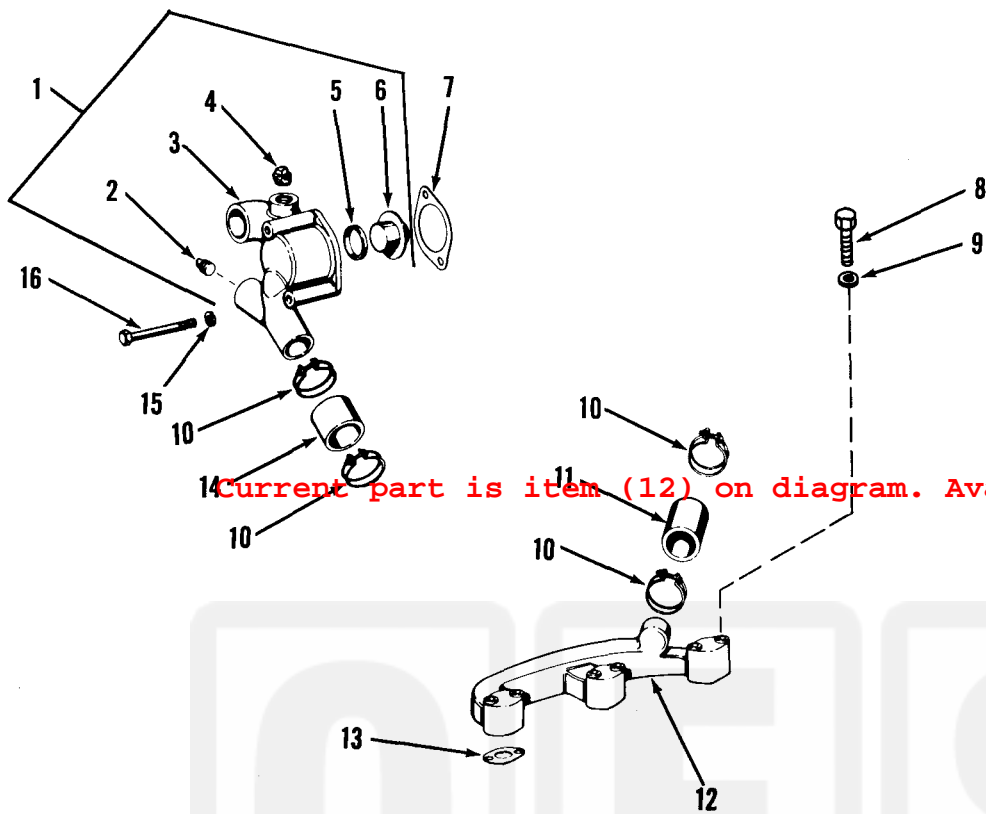


Current part is item (12) on diagram. Available at www.oshkosequipment.com

(1) SMR Code	(2) Federal Stock Number	DESCRIPTION	UNIT of meas	Qty inc. in Unit	30-day DS maint allowance			30-day GS maint allowance			1-yr alw per 100 equip cnt- gcy	Depot maint alw per 100 equip	Illustration	
					(a) 1-20	(b) 21-50	(c) 51-100	(a) 1-20	(b) 21-50	(c) 51-100			(a) Figure No.	(b) Item No.
		Reference Number & Mfr. Code												
		Usable On Code												
PAOZZ	2930-851-4653	GASKET: HOUSING MTG TO MANIFOLD 10889849 (19207)	EA	1	*	*	*	*	*	*	*	*	27	7
PAFZZ	5306-225-8505	BOLT, MACHINE: MANIFOLD TO CYLINDER HEAD MTG MS90725-41 (96906)	EA	12	*	*	*	*	*	*	*	*	27	8
PAFZZ	5310-407-9566	WASHER, LOCK: MANIFOLD TO CYLINDER HEAD MTG MS35338-45 (96906)	EA	12	*	*	*	*	*	*	*	*	27	9
PAOZZ	4730-541-7747	CLAMP, HOSE: HOSES RETAINING AN737W74-91 (88044)	EA	6	*	*	*	*	*	*	*	*	27	10
MOOZZ		HOSE, RUBBER: WATER OUTLET MANIFOLD TO INTAKE MANIFOLD	EA	2									27	11
PAOZZ	4720-235-4127	MANUFACTURE FROM: HOSE, NONMETALLIC: (1-3/4 IN. REQUIRED FOR EA HOSE) ZZH428 (81348)	FT	V	SEE GROUP 9501								27	11
PAFZZ	2930-907-0650	MANIFOLD, WATER OUTLET: CYLINDER HEAD 10951179 (19207)	EA	2	*	*	*	*	*	*	*	*	27	12
PAFZZ	2930-851-0483	GASKET: MANIFOLD MTG 10889853 (19207)	EA	6	*	*	*	*	*	*	*	*	27	13
MOOZZ		HOSE, RUBBER: HOUSING TO WATER PUMP	EA	2									27	14
PAOZZ	4720-200-0632	MANUFACTURE FROM: HOSE, NONMETALLIC: (3-1/4 IN. REQUIRED FOR EA HOSE) ZZH428 (81348)	FT	V	SEE GROUP 9501								27	14
PAOZZ	5310-080-6004	WASHER, FLAT: HOUSING MTG MS27183-14 (96906)	EA	2	*	*	*	*	*	*	*	*	27	15
PAOZZ	5306-850-3993	BOLT, MACHINE: HOUSING MTG 7748976 (19207)	EA	2	*	*	*	*	*	*	*	*	27	16
PADZZ	2930-760-3200	0504-WATER PUMP	EA	1									28	1
PAOZZ	5310-880-7744	PUMP, WATER, ENGINE COOLING: 10935641 (19207)	EA	6	*	*	*	*	*	*	*	*	28	2
		NUT, PLAIN, HEXAGON: WATER PUMP TO HOUSING MS51967-5 (96906)	EA	6	*	*	*	*	*	*	*	*	28	3
PAOZZ	5310-959-4679	WASHER, LOCK: WATER PUMP TO HOUSING MTG MS35340-45 (96906)	EA	6	*	*	*	*	*	*	*	*	28	3
PADZZ	2930-133-8173	HOUSING, WATER PUMP: 10935640 (19207)	EA	1							*	*	28	4
XADZZ		HOUSING: WATER PUMP 10935640-1 (19207)	EA	1							*	*	28	5
PAOZZ	5307-275-8548	STUD, PLAIN: HOUSING, GENERATOR STRAP MTG 8376183 (00000)	EA	1	*	*	*	*	*	*	*	*	28	6
PAOZZ	5307-904-5675	STUD, PLAIN: WATER PUMP MTG 10899073-5 (19207)	EA	6	*	*	*	*	*	*	*	*	28	7
PAOZZ	4730-221-2140	PLUG, PIPE: PERSONNEL HEATER CONNECTION MS20913-6S (96906)	EA	1	*	*	*	*	*	*	*	*	28	8
PAOZZ	2930-903-0679	PARTS KIT, WATER PUMP: 5702725 (19207)	EA	1	*	*	*	*	*	*	*	*	28	9

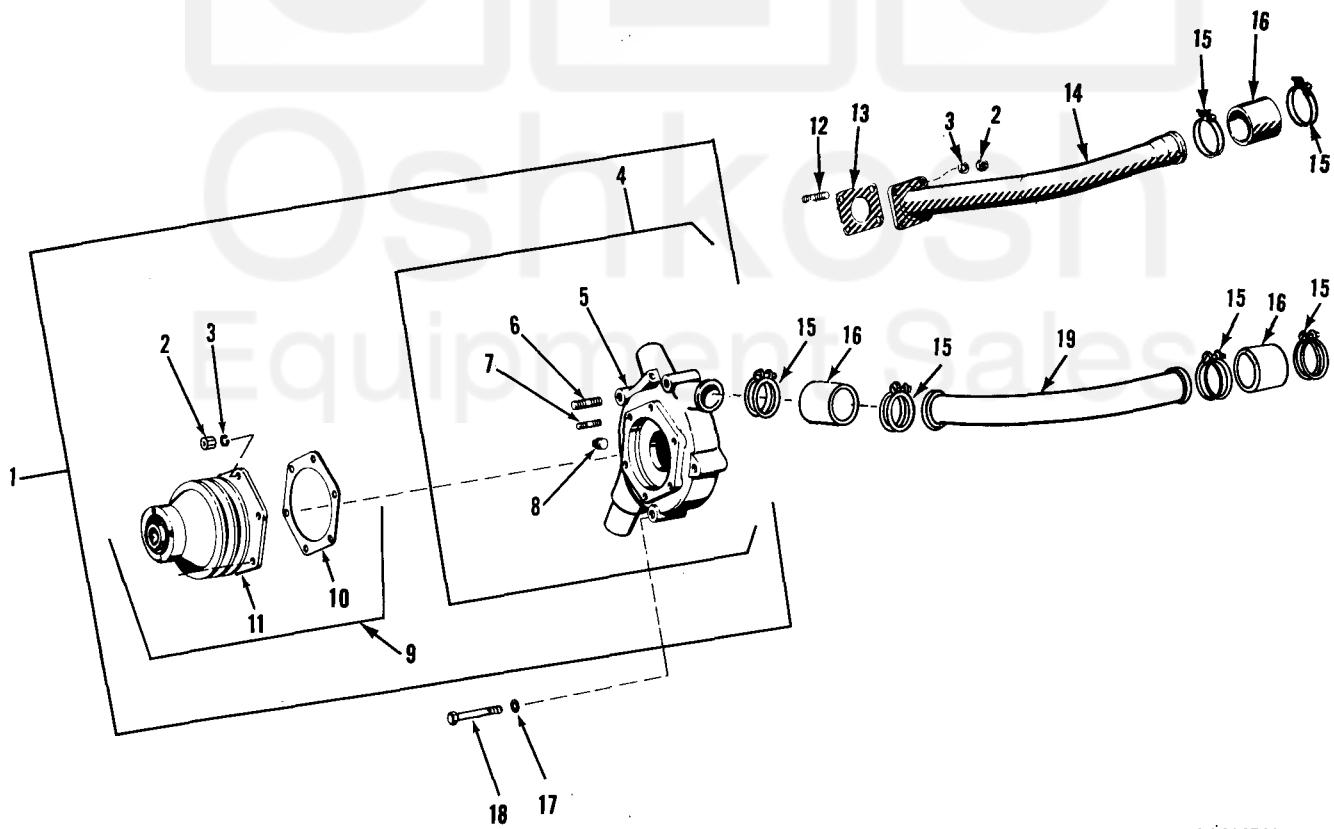


Current part is item (12) on diagram. Available at www.oshkosequipment.com



TA010734

Figure 27. Water Manifold, Thermostat Housing and Associated Parts.



TA010735

Figure 28. Water Pump and Associated Parts.